



HIGH VOLUME
VERSATILE CONFIGURATIONS
SWECO QUALITY



ATLAS

SWECO's horizontal uniform gyratory motion offers the highest performance per screen area
Sharp separations | High capacity | Superior screen cleaning | Low dynamic force | Material spread-ability

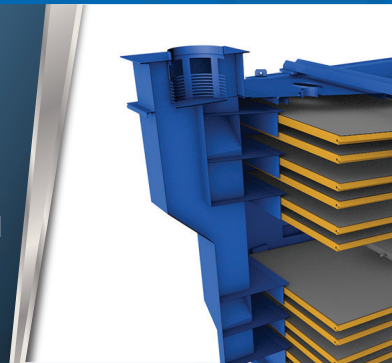
Dynamic hanger system*

- Maintenance free
- Pre-balanced design
- Unparalleled repeatability
- 3-year warranty



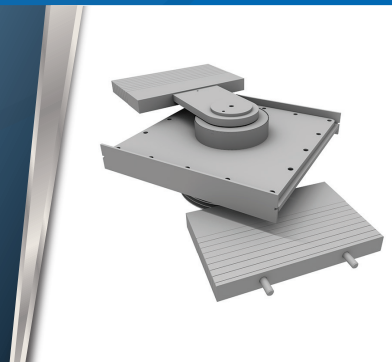
High-performance feed box*

- Flexible configuration
- High-wear design
- Quick field replacement
- Material is evenly distributed to each screen level
- Material is spread prior to contact with screen



Adjustable Split Drive*

- Symmetrical weight assembly
- One minute belt change
- Optional high-temp design 400°F/204°C
- Lubricated for life
- 3-year warranty



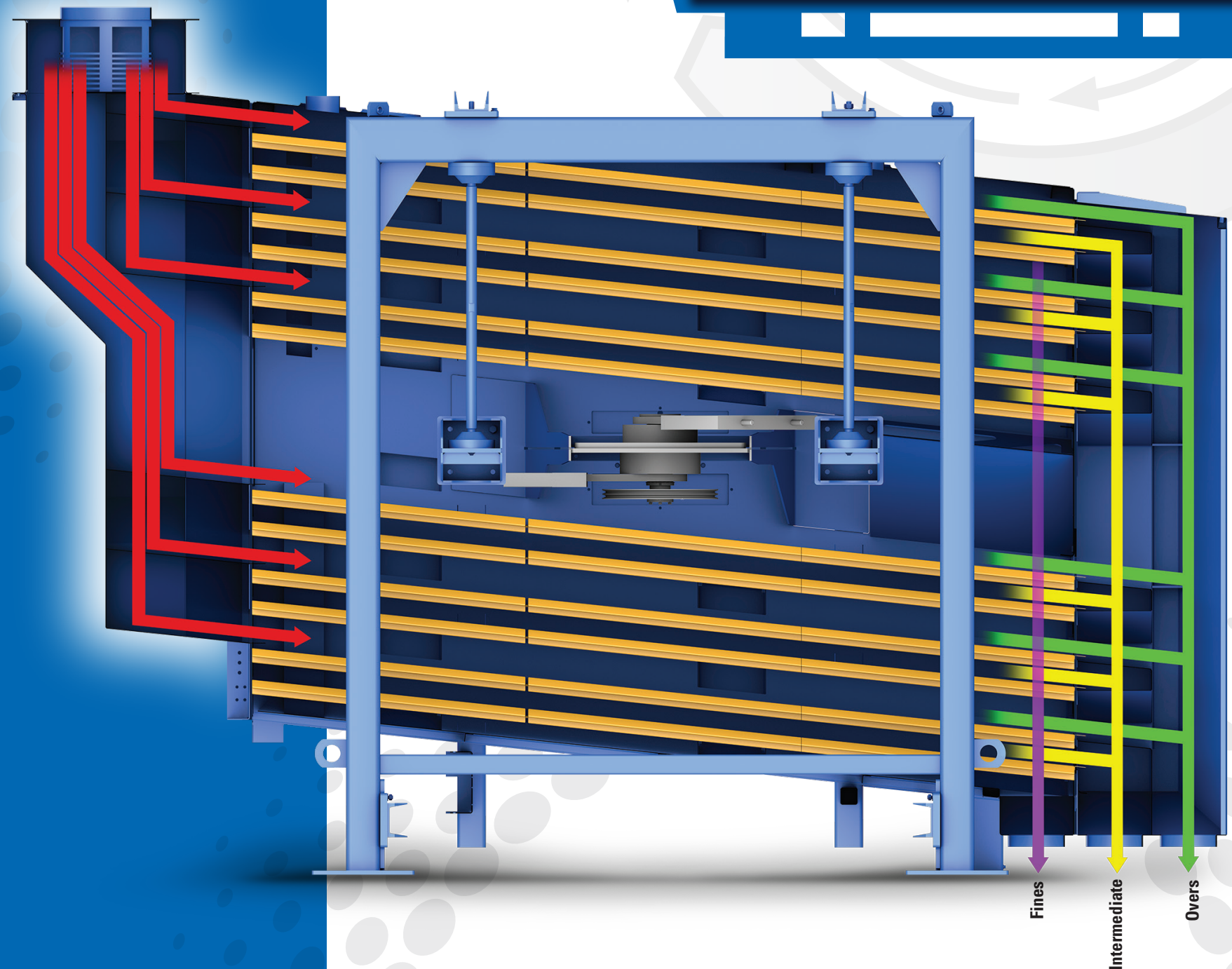
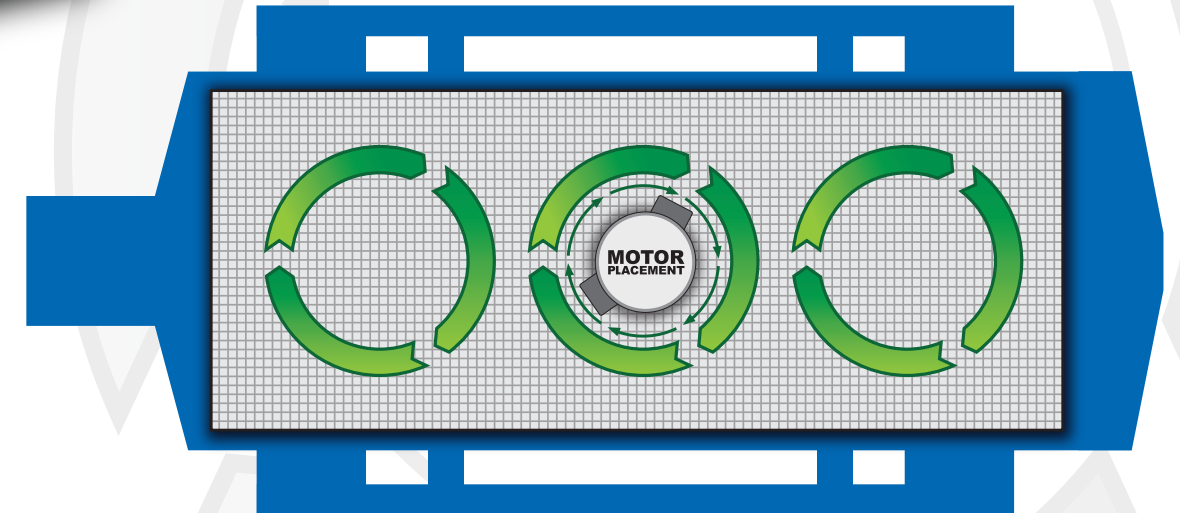
Pneumatic QuickChange™ screen technology*

- One minute screen change
- Auto-tension adds increased efficiency /screen life
- Screen replaced from either end
- Ergonomic design, no need to remove ball boxes



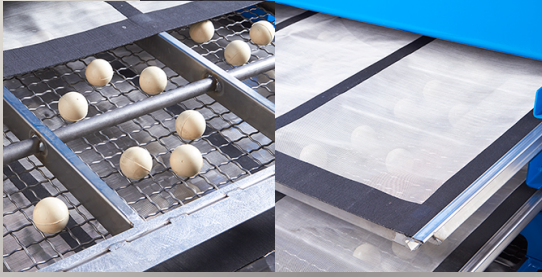
Discharge door

- Screen extension design increases efficiency
- Waterfall flow enhances product discharge
- Centerline outlets
- Footprint reduction



*Features Patent Pending worldwide

SWECO ENGINEERED CUSTOMER APPROVED

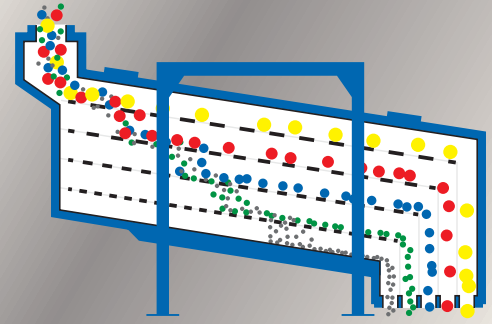


5.5 ft x 12 ft screen dimension

- Single screen prevents product bypass
- Increased retention time
- Better exposure to nearsize particles
- More efficient separations

Superior deblinding ball action

- More frequent ball impacts
- Feed, center & discharge end



Kentucky, USA – Georgia, USA – Nivelles, Belgium – Edinburgh, Scotland – Berra, Italy – Mumbai, India – Singapore – Shanghai, China – Victoria, Australia – Queretaro, Mexico

Manufacturers worldwide rely on SWECO.

We span five continents with 10 manufacturing and support facilities and over 100 sales and service representative offices.

So, wherever you are, be assured that SWECO – the global leader in screening technology – is there when you need us.

ATLAS Gyrotory Sifter Portfolio

MODEL	SCREEN SURFACE [ft ²] / [m ²]	PATENTED QUICKCHANGE™ SCREEN TECHNOLOGY	# SCREENS	# PRODUCT FRACTIONS	UNIFORM GYRATORY MOTION	REQUIRED POWER [hp] / [kW]
AGS 114 thru 185	32 - 528 ft ² 3 - 49 m ²	✓	1 to 8	2	HORIZONTAL	5 - 10 Hp 3.7 - 7.5 kW
AGS 214 thru 265	32 - 396 ft ² 3 - 36.8 m ²	✓	2 to 12	3	HORIZONTAL	5 - 10 Hp 3.7 - 7.5 kW
AGS 314 thru 345	48 - 264 ft ² 4.5 - 24.5 m ²	✓	3 to 12	4	HORIZONTAL	5 - 10 Hp 3.7 - 7.5 kW
AGS 414 thru 425	48 - 132 ft ² 4.5 - 12.3 m ²	✓	4 to 8	5	HORIZONTAL	5 - 10 Hp 3.7 - 7.5 kW